

Back Pressure Sensing with a Double-Acting Cylinder Using External Power Valve



Size: 6.0" x 2.75" x 3.50"

Temperature: 32 to 140°F

Pressure Range: 40 to 150 psig

Use: The VA-033 module is very similar to the VA-031 for controlling a double-acting cylinder without limits. The circuit uses back pressure to send a signal when the cylinder finishes moving. This module is designed to be used in conjunction with an external power valve.

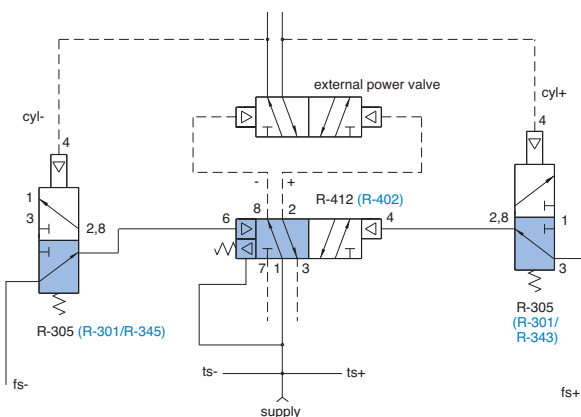
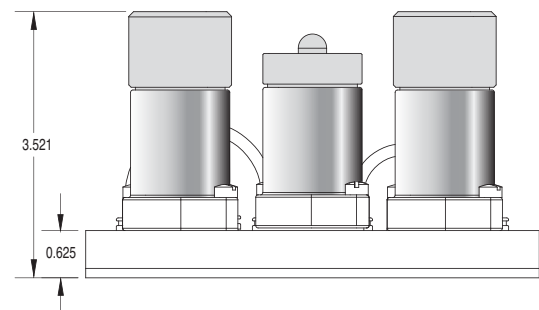
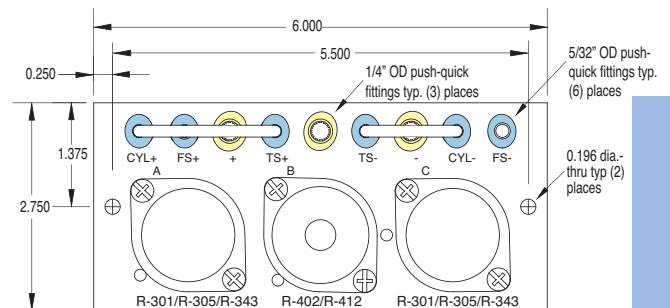
Operation: This circuit enables feedback from the external valve outputs to signal back to the module ports CYL+ and - when back pressure is building. Utilizing ports TS and FS allows you to loop them back to the module's inputs, and create an auto-cycling circuit using back pressure, opposed to a timing signal such as the VA-06 module. Or you can use the output to go to a manual button, pneumatic delay valve, electronic valve and PLC, or pneumatic sequencer (such as a R-932 circuit), and allow those options to signal back to the module to begin the next cycle. Call Clippard for assistance to fit our pneumatic modules into your application.

Part No.	Description
<u>VA-033</u>	Back Pressure Sensing with Double-Acting Cylinder Using External Power Valve

Bill of Materials in Assembly		
Qty.	Part No.	Description
2	<u>R-305</u>	3-Way Modular Pressure Pilot Valve
1	<u>R-412</u>	4-Way Modular Reset Valve
1	<u>CM-033-PQ</u>	Circuit Manifold
8'	<u>URT1-0503-YLT</u>	5/32" O.D. Polyurethane Tubing, Yellow
10'	<u>URT1-0805-GNT</u>	1/4" O.D. Polyurethane Tubing, Green
5'	<u>URT1-0503-CLR</u>	5/32" O.D. Polyurethane Tubing, Clear

All components are also available for individual purchase

The CM-033 subplate is available with #10-32 threads and no valve assembled



Note: See Pages 248, 255 and 258 for alternative valve(s) (in parenthesis above).